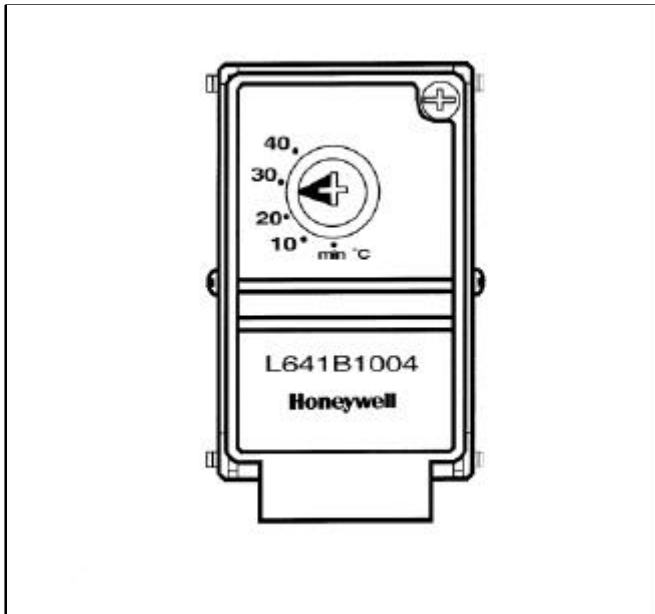


## L641 SURFACE CONTACT THERMOSTAT

### PRODUCT DATA



### DESCRIPTION

The L641 is a surface contact thermostat designed to sense the water temperature in storage cylinders and water pipes, and to provide temperature control, temperature limiting, and temperature feedback functions.

L641A mounts directly onto domestic hot water cylinders and can be wired to directly switch a wet central heating circulating pump, or boiler, or to operate spring return and motor open/motor close zone valves.

L641B mounts directly onto a pipe and can provide high limit, low limit or frost protection in wet central heating systems or automatic summer/winter changeover in XE70 and XE90 fan-coil control systems.

### FEATURES

- Versions available for use as a cylinder thermostat in domestic hot water installations
- Versions available for use as a pipe thermostat in fan-coil applications
- Version available for use as a pipe thermostat in frost protection applications
- Version available for use as a pipe thermostat to limit the supply water temperature in underfloor heating and solid fuel systems
- The S.P.D.T. switching action is accomplished by a snap-action MICRO SWITCH which is actuated by a bimetal temperature sensing element
- The desired temperature control point is set by the clearly scaled temperature selector on the front cover
- Wiring terminals are easily accessible
- Tamperproof temperature setting (L641B)
- Screwdriver slot temperature setting, with optional manual setting knob supplied (L641A)
- Approvals - B.E.A.B. (meets EN 60730)

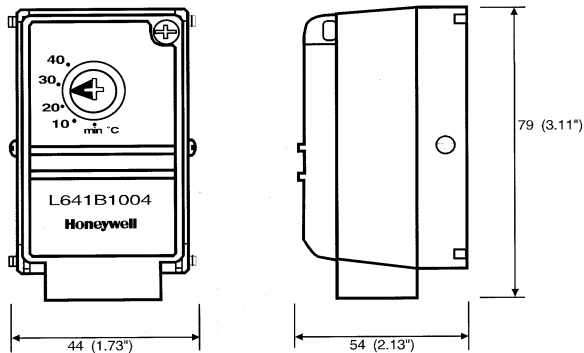
## SPECIFICATIONS

Supply voltage	: 230 V~, 50...60 Hz
Switch action	: S.P.D.T. Type 1CL
Switch rating	: 4(2) A, 230 V~
Temperature setting range	: see table
Differential	: Approximately 10 K non-adjustable
Surface temperature range	: 0 to 95°C
Ambient temperature range	: 0 to 70°C
Mounting	: L641A mounts directly onto cylinder using fixing strap provided L641B mounts directly onto pipes using fixing springs provided
Dimensions	: 44 x 79 x 54mm (1.73" x 3.11" x 2.13") (w x h x d)
Wiring	: 3 terminals with wiring clamps, accepting wires up to 1.5 mm <sup>2</sup>

## ORDERING SPECIFICATION

Model	Application	Temperature Setting Range
L641AI039	Cylinder Thermostat	Min, 40 to 80 °C
L641BI004	Low Limit Pipe Thermostat	Min, 10 to 40° C
L641B1012	High Limit Pipe Thermostat	50 to 95°C
L641BI020	High Limit Pipe Thermostat	40 to 95°C

## DIMENSIONS



Dimensions in millimetres (inches in brackets)

## INSTALLATION

### Mounting

The L641A cylinder thermostat should be mounted  $\frac{1}{4}$  to  $\frac{1}{3}$  of the way from the bottom of the domestic hot water cylinder after removing a section of the insulation and cleaning the surface.

The L641B pipe thermostat should be positioned less than 0.6 m (2') from the boiler, or on a supply pipe to a fan-coil unit, close to the 3-port control valve.

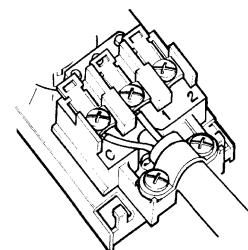
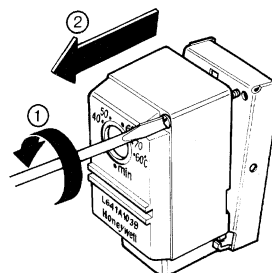
### IMPORTANT

1. The installer must be a trained service engineer
2. Disconnect the power supply before beginning installation

### Wiring

Cover removal

Wiring to terminals



# APPLICATION

	DHW Storage Tanks/ Cylinders (see note 1)	High Limit Underfloor Heating Systems (see note 2)	High Limit Solid Fuel Systems (see note 2)	Low Limit Frost Protection (see note 3)	Fan-Coil Unit Summer/ Winter Changeover for 2-pipe units (see note 4)
L641AI039	✓				
L641BI004				✓	✓
L641BI012		✓	✓		
L641BI020		✓	✓		

## Notes

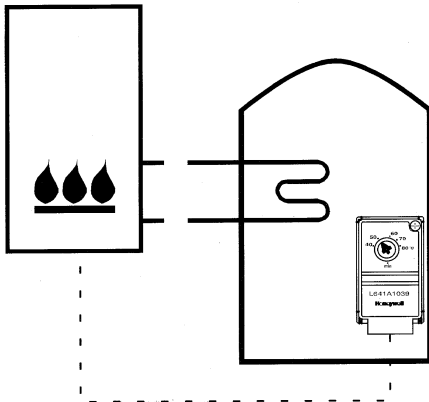
1. The L641A should be mounted  $\frac{1}{4}$  to  $\frac{1}{3}$  of the way from the bottom of the cylinder.
2. The L641B should be mounted less than 0.6 m (2') from the boiler.
3. The L641B should be mounted on the boiler return pipe and used in conjunction with the T4360A FrostStat.
4. The L641B should be set to approx. 25° C and mounted on the supply pipe close to the 3-port control valve such as to sense the water temperature even when the valve is closed.

## Water Temperature Sensing and

D.H.W. Storage Cylinders  
and Tanks

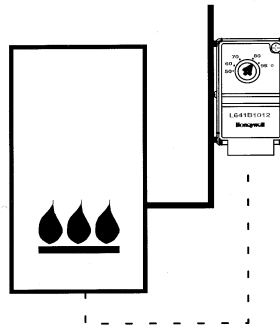
Limit Control in Pipes

**L641A1039**



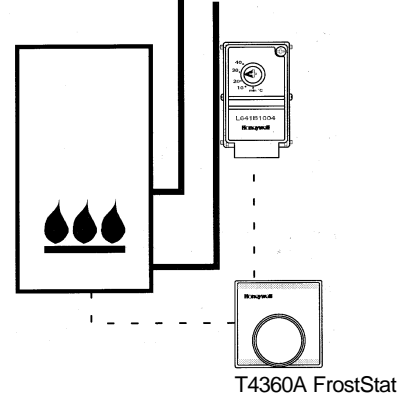
High Limit  
For Underfloor Heating  
For Solid Fuel Systems

**L641B1012**

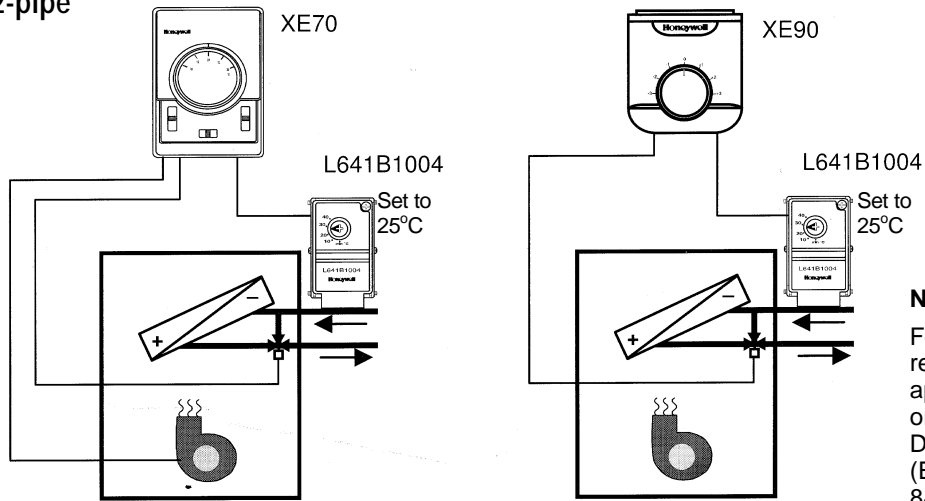


Low Limit  
For Frost Protection of  
Exposed Pipework

**L641B1004**



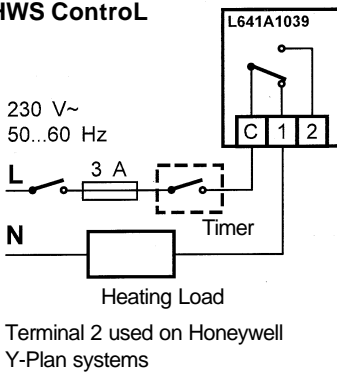
Summer/Winter Changeover for 2-pipe Fan Coil Unit



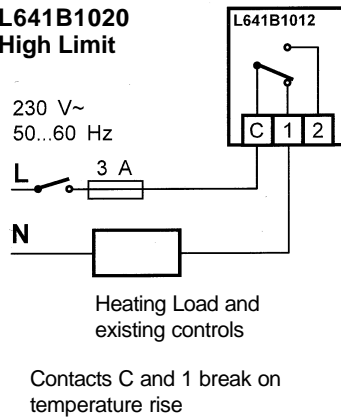
**Note:**  
For wiring details refer to the appropriate XE70 or XE90 Product Data sheet. (ENOR8402, 8403, 8406)

WIRING DIAGRAMS

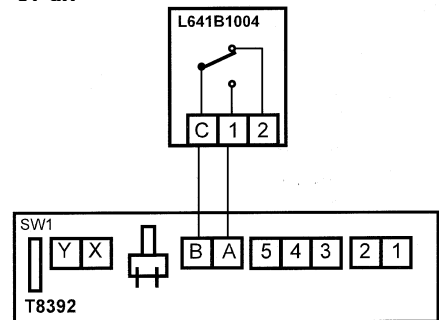
L641A1039 DHWS Control



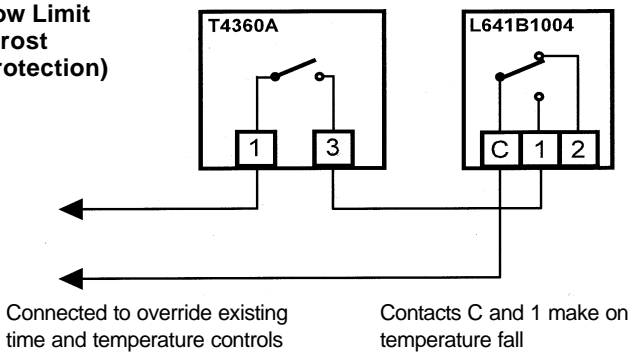
L641B1012 L641B1020 High Limit



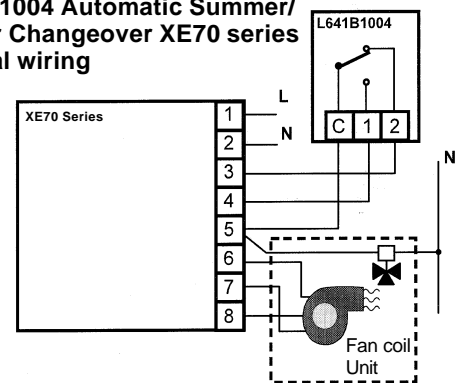
L641B1004 Automatic Summer/Winter Changeover YFan



L641B1004 Low Limit (Frost Protection)



L641B1004 Automatic Summer/Winter Changeover XE70 series Typical wiring



**Honeywell**

## Check out our full range of Heating Products

Central Heating Controls

Honeywell Heating Controls

Danfoss Heating Controls

Radiator Valves

Fernox

Sentinel

Magnaclean

Warmup underfloor heating

Water Heaters

Hand Dryers

**plumbworld**  
**Big brands, small prices.**