

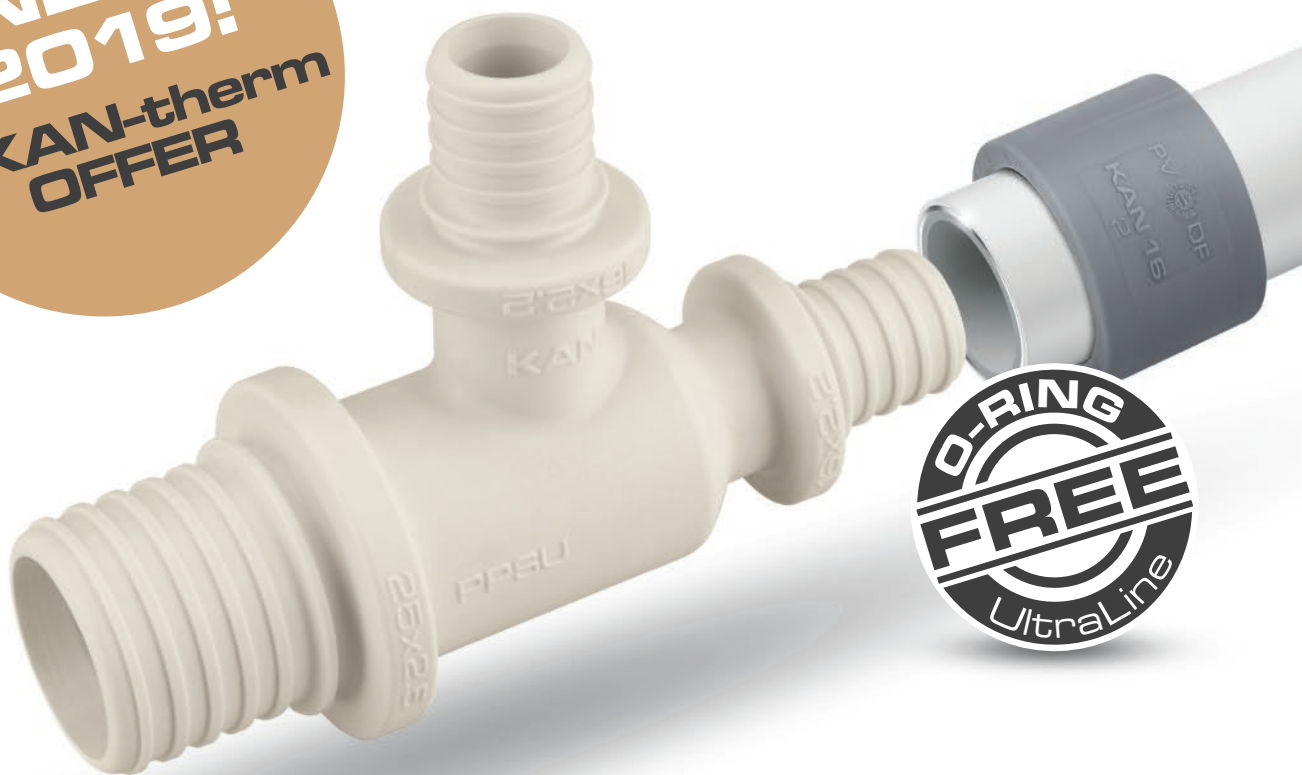
SYSTEM **KAN-therm**

UltraLine

Ø14-32 mm



**NEW
2019!**
in KAN-therm
OFFER



Main advantages:

- Reliable installation
- No gaskets
- Selection of 4 pipe types
- Multi-purpose application



SKZ

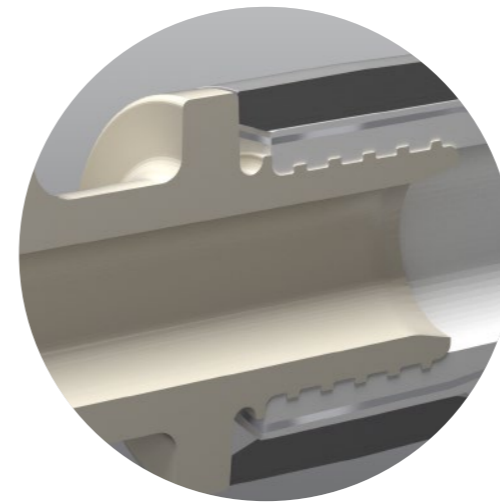
O-ringless joints for professionals



1

Symmetrical sliding sleeve

double-sided assembly.



2

Better hydraulics

reduced bottleneck effect.

3

Flexible pipe selection

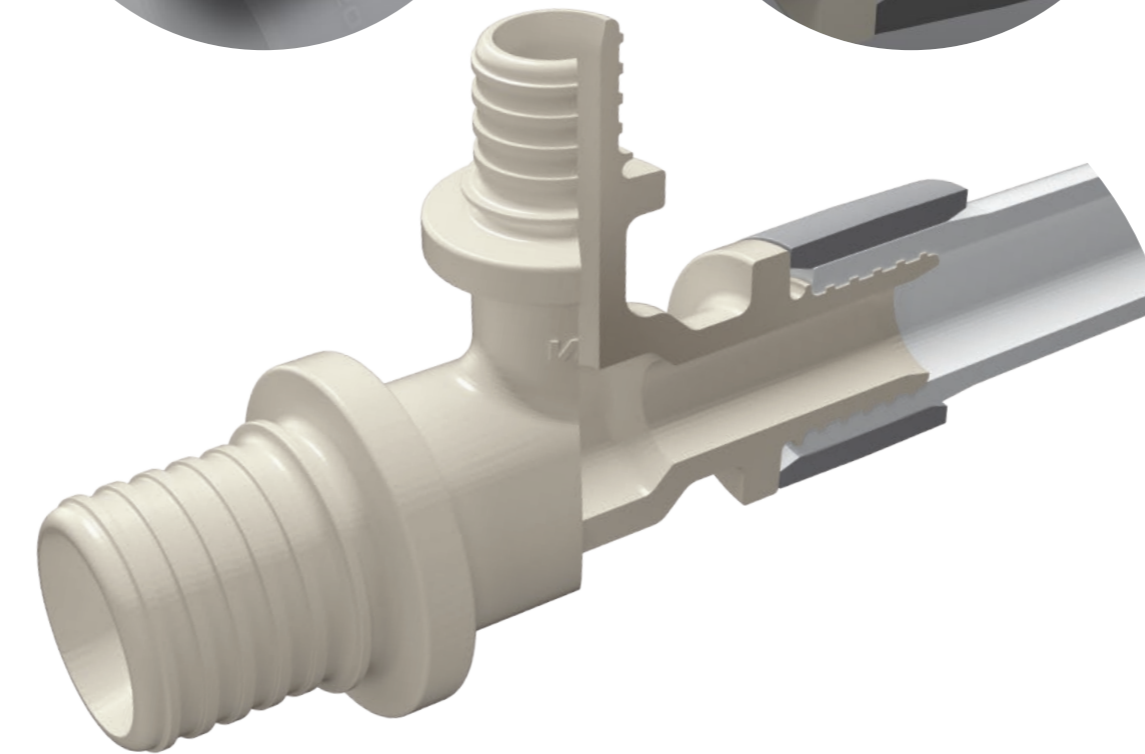
the fittings accommodate PE-X and PE-RT pipes (UltraLine PE), as well as multilayer PE-RT/Al/PE-RT pipes (UltraLine ALU). Fittings are available in PPSU and brass versions.



8

Profiling

no additional sealing - the profile of fitting nozzle guarantees 100% tightness and mechanical strength of the connection.



7

270° assembly

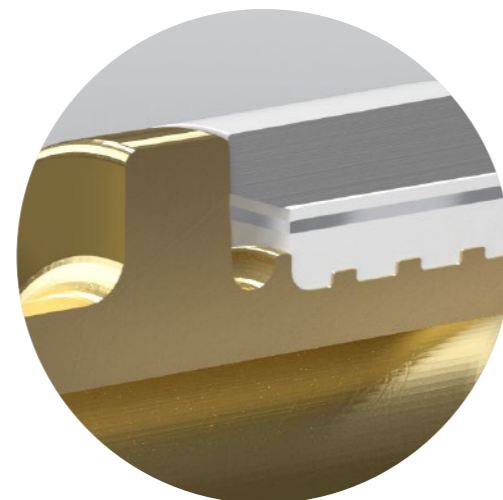
unique design that allows to use of tools at an angle of 270°. Guaranteed easy installation, even in the most inaccessible of places.



6

Stopper

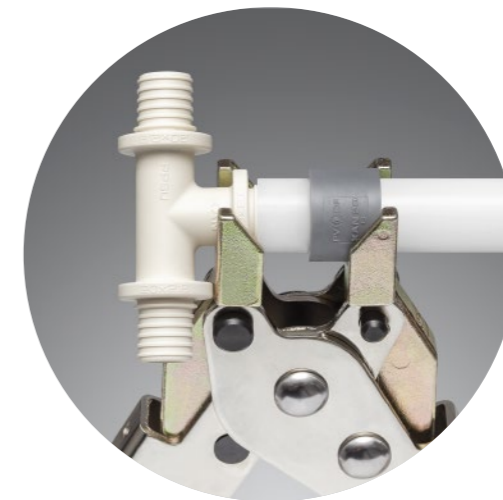
elimination of contact between the aluminium layer and the brass body.



4

Easy, comfortable and reliable

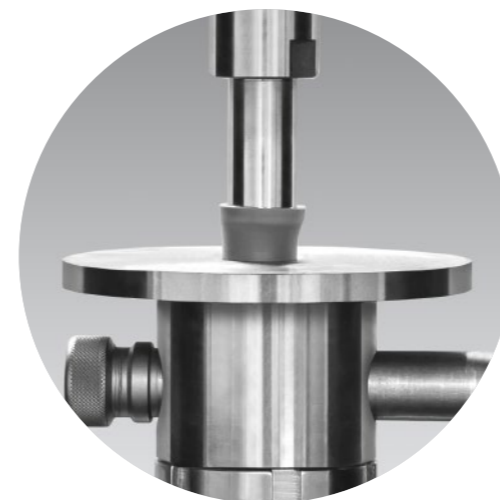
assembly thanks to simple manual tools. Easy identification of not tight connections.



5

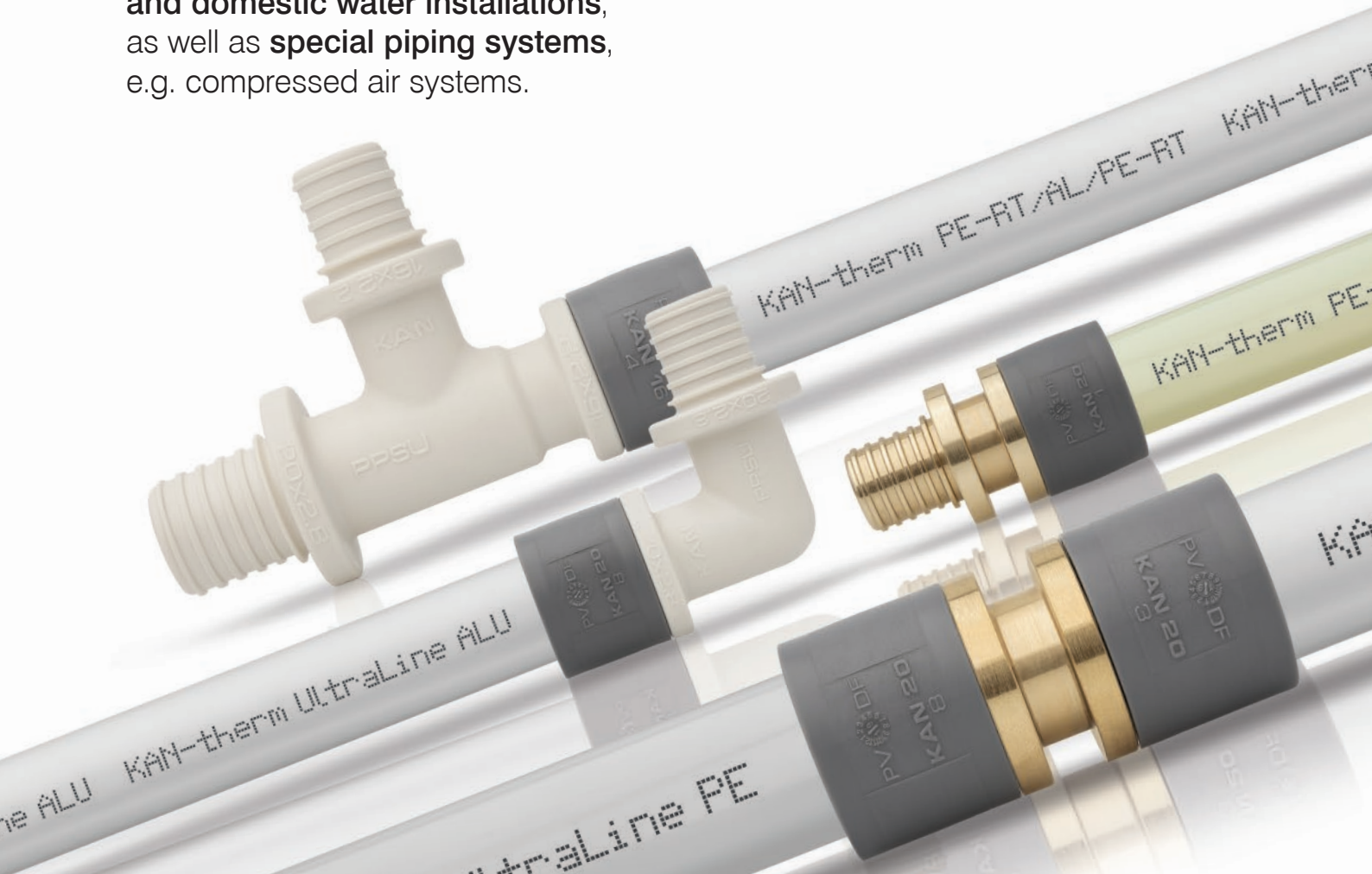
Guaranteed safety

exceptional strength proven in the toughest of conditions.



SYSTEM KAN-therm UltraLine

is an **innovative and unique** technical solution on the installation market, designed for both standard **internal heating and domestic water installations**, as well as **special piping systems**, e.g. compressed air systems.



Various types of pipes and only one design of fitting with sliding sleeve!

SYSTEM KAN-therm UltraLine PE			SYSTEM KAN-therm UltraLine ALU		
Pipe type	Diameter	Expansion head	Pipe type	Diameter	Expansion head
	14x2	UltraLine PE 14		14x2	UltraLine ALU 14
PE-X, PE-RT	16x2,2	UltraLine PE 16		16x2,2	UltraLine ALU 16
	20x2,8	UltraLine PE 20	PE-RT/AL/PE-RT	20x2,8	UltraLine ALU 20
PE-RT/AL/PE-RT	25x2,5	UltraLine ALU 25		25x2,5	UltraLine ALU 25
	32x3	UltraLine ALU 32		32x3	UltraLine ALU 32

KAN Sp. z o.o.

ul. Zdrojowa 51, 16-001 Białystok-Kleosin
tel. +48 85 74 99 200, fax +48 85 74 99 201
e-mail: kan@kan-therm.com

TECHNOLOGY OF SUCCESS

